

ABS | Upright Cabinets

FREEZER UPRIGHT ▶ VENTILATED ▶ WHITE PAINTED

GF 2V



-
-
-
-
-
-

GAS R290

50 mm

3 +25°C/60RH

LED

DETAILS

- Opening door alarm/High temperature alarm
- Blue backlit main switch
- Stainless steel top
- Shelf with small distance between the line and bottom shelf fits as standard
- Evaporator with anti-corrosion treatment
- Inner LED light
- External cylindrical handle in stainless steel (Steel color for X Version)

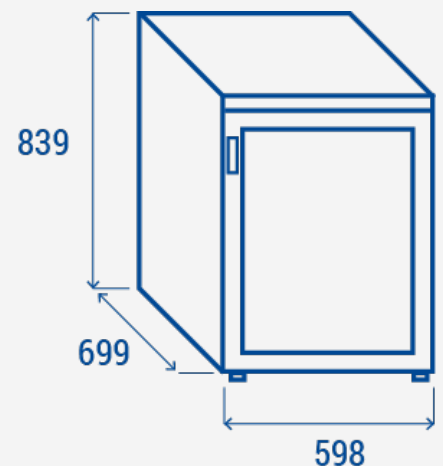
GENERAL FEATURES

- 200 Lt. Ventilated Freezer ABS upright (GLASS FROST)
- White external cabinet, thermoformed internally
- Workable stainless steel top
- Ventilated Cooling
- Automatic defrost with electric heater
- Evaporator with anti-corrosion treatment
- Foaming Agent Cyclopentane (50mm per side)
- Digital Thermostat
- Special temperature range (+5°C--12°C) for frozen glasses
- Triple heated safety tempered glass
- Opening door alarm/High temperature alarm
- Removable Gasket
- Lock fitted as standard
- Independent back-lit main switch (Blue color)
- Inner horizontal LED light (with independent switch)
- N.2 Adjustable feet + N.2 Rollers at the back
- Stainless steel external handle
- Energy efficiency class: -

TECHNICAL SPECIFICATIONS

Capacity	141 L
Temperature	L2 (+5°C--12°C)
Consumption	4.71 kWh/24h
Rated Power	230 W
Noise level	40 dB(A)
Net Weight	39 Kg
Gross Weight	44 Kg
External Dimensions (WxDxH mm)	598x699x839
Internal Dimensions (WxDxH mm)	437x508x647
Packaging dimensions (WxDxH mm)	650x680x880
Loading quantities 20'/40'/40'HQ	48/108/162

PRODUCT DIMENSIONS



CERTIFICATION

CE RoHS

